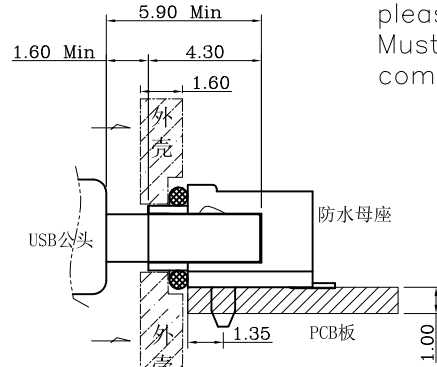
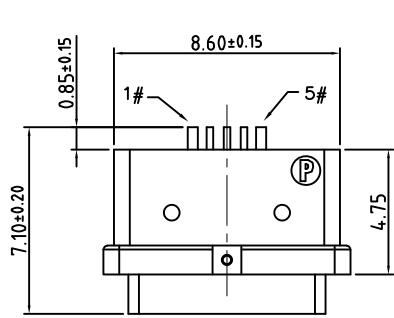


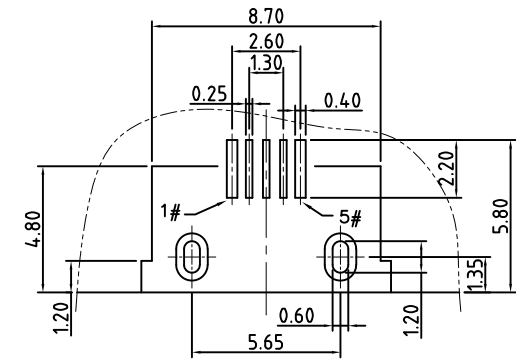
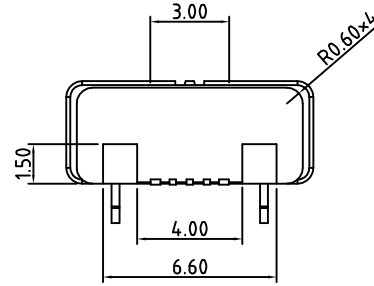
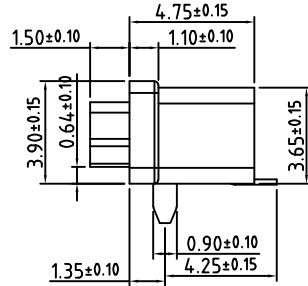
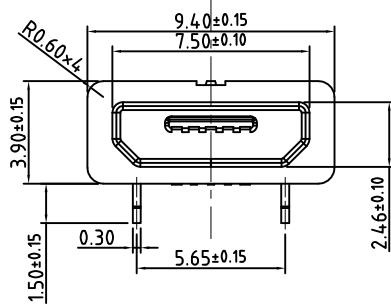
REV.	ECN. NO.	APPD.

please note:  
Must insert plug  
completely while using

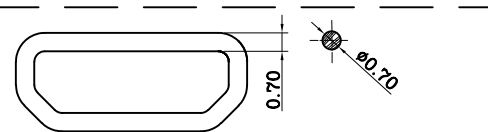
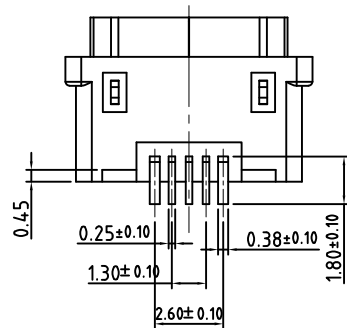
- SPECIFICATIONS:
- ELECTRICAL CHARACTERISTICS:
    - RATING: 3A(PIN1&5),0.5A(PIN2&3&4);
    - CONTACT RESISTANCE: 30 mΩ MAX.(INITIAL);
    - DIELECTRIC WITHSTANDING: 500V AC MIN.;
    - INSULATION RESISTANCE: 1000MΩ MIN.;
  - DURABILITY: 5,000 CYCLES MIN.;
  - INSERTION FORCE: 3.5Kgf (35N) Max.;
  - EXTRACTION FORCE: 0.8Kgf (8N) Min;
  - WATER PROOFNESS:THIS PRODUCT IS BASED ON IPX6
  - PLUG INTERFACE DIMENSIONS CONFORM TO USB2.0 SPEC.
  - PACKAGING: TAPE & REEL , 1000PCS/Reel



组装示意图



P.C.B LAYOUT



注: 防水圈是圆形截面, 直径为0.7mm的硅胶圈  
防水圈挤压量, 由0.7mm挤压到0.3mm ~ 0.4mm, 防水效果好

Contact Number	Signal Name	Remarks
1#	VBUS	Power
2#	D-	Date-
3#	D+	Date+
4#	ID	Reserve or Gound
5#	GND	Gound

3	Shell	1	SUS304R-1/2H Ni Plating T=0.30mm	
2	Contact	5	Phosphor bronze C5191R-EH Au/Ni Plating T=0.20mm	
1	Housing	1	PA9T&LCP (G.F30%)	
ITEM	PART NAME	Q' TY	FINISH	NOTE
.X	±0.50	X.° ± 2°	UNITS mm	深圳市鑫南天科技有限公司
.X	±0.30	.X° ± 1°		
.XX	±0.20	.XX° ± 0.5°		
.XXX	±0.05			
			MAT'L	PART NO. XNTUSB-1101PX6-02
			FINISH	TITLE: Micro USB 5Pin SMT (B) Type (脉冲测试)
			Q' TY	APPD: RADOM CHKD: MARK DR: Steven.Rao 2016/08/08
				DWG NO. : XNTUSB-1101PX6-02
				SCALE SHEET REV. 1/1 1/1 A1

