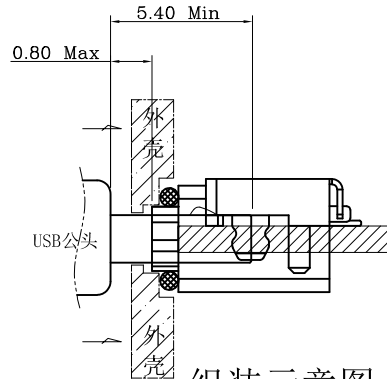
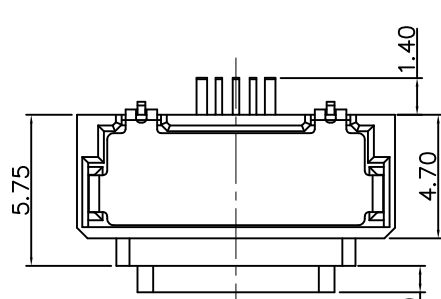
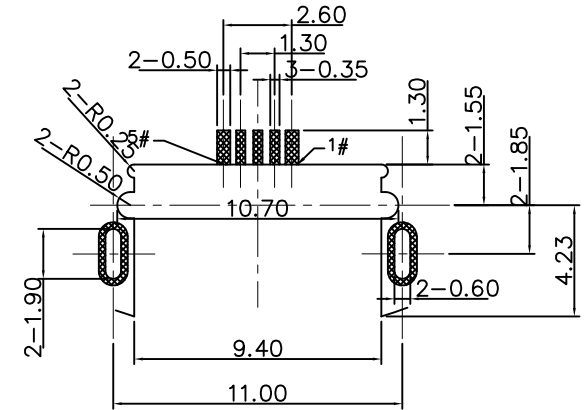
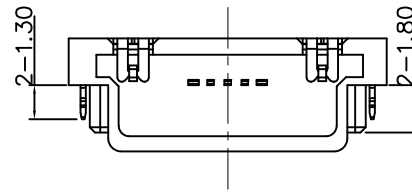
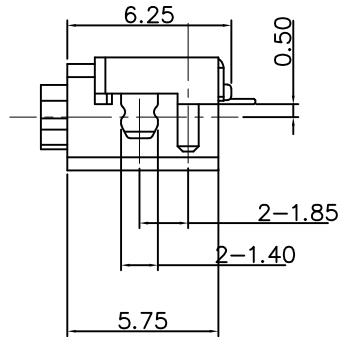
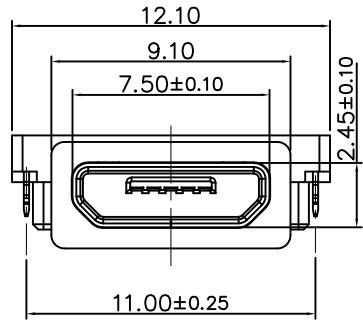


REV.	ECN. NO.	APPD.

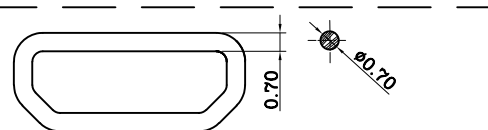
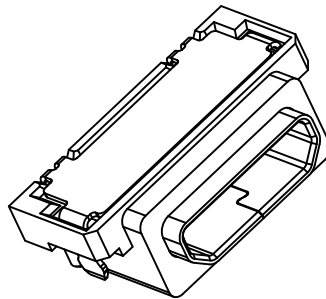
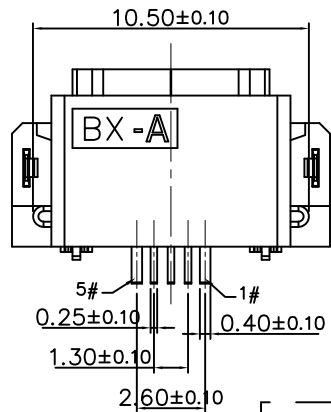


注：设计时，请注意公头插入时的距离，防止公头插不到底。

组装示意图



Recommended P. C. B. Layout
Unspecified tolerance: ±0.05
(Top view)



注：防水圈是圆形截面，直径为0.7mm的硅胶圈
防水圈挤压力，由0.7mm挤压到0.3mm ~ 0.4mm，防水效果好

Contact Number	Signal Name	Remarks
1#	VBUS	Power
2#	D-	Date-
3#	D+	Date+
4#	ID	Reserve or Gound
5#	GND	Gound

4	Shell	1	Phosphor bronze Ni Plating T=0.20mm	
3	Shell	1	SUS304R-1/2H Ni Plating T=0.30mm	
2	Contact	5	Phosphor bronze AU/Ni Plating T=0.20mm	
1	Housing	1	PA10T (G.F30%)	
ITEM	PART NAME	Q' TY	FINISH	NOTE
.X	±0.50	X.° ± 2°	UNITS	深圳市鑫南天科技有限公司
.X	±0.35	.X° ± 1°	mm	
.XX	±0.25	.XX° ± 0.5°	MAT'L	
.XXX	±0.05			
			FINISH	PART NO. XNTUSB-1105IPX8-00
			Q' TY	TITLE: Micro USB 5Pin SMT (B) Type
			APPD: RADOM	DWG NO.:
			CHKD: MARK	XNTUSB-1105IPX8-00
			DR: Steven.Rao 2019/04/28	
				SCALE SHEET REV. 1/1 1/1 A1