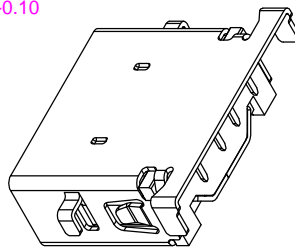
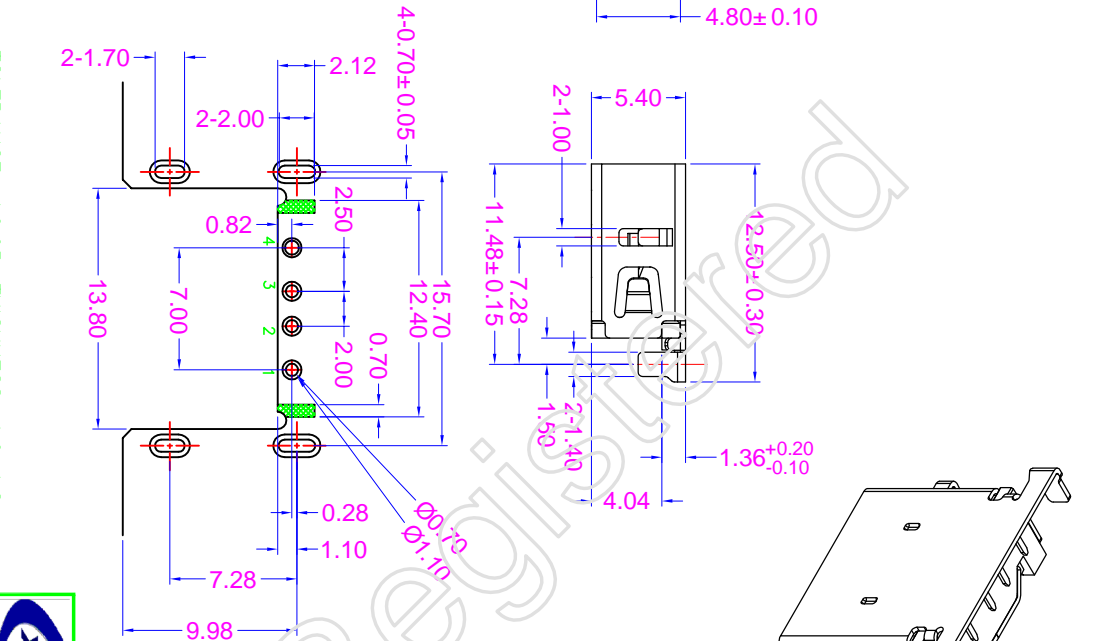
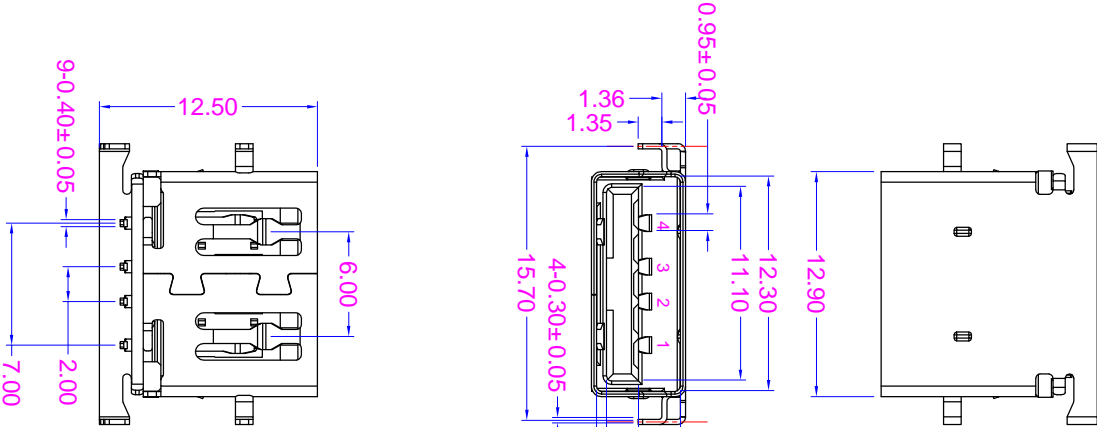


* 所有原材料, 生产制程, 电镀必须符合ROHS要求



- NOTE:
- MATERIAL:
 - INSULATOR: HIGH TEMPERATURE PLASTIC UL 94 V-0;
 - CONTACT: COPPER ALLOY(T=0.2mm)
 - SHELL: SUS201(T=0.30mm)
 - ELECTRICAL CHARACTERISTICS:
 - CONTACT RESISTANCE: 30m Max
 - CONTACT CURRENT RATING: 1.5A
 - DIELECTRIC WITHSTANDING VOLTAGE: 500 V R.M.S.
 - INSULATION RESISTANCE 100 MEGOHMS M
 - OPERATING TEMPERATURE: -40°C ~ 85°C
 - RATE VOLTAGE: 30V DC
 - MECHANICAL CHARACTERISTICS:
 - MATING FORCE: 10 N Min INITIAL; 8 N Min AFTER TEST
 - UNMATED FORCE: 35 N Max
 - DURABILITY: 5,000 CYCLES
 - PLATING
 - TERMINAL CONTACT: GOLD PLATING ALL OVER 50u" MIN NICKEL AND 80u" MIN Matte Tin NICKEL IN SOLDER AREA(SEE TAB)
 - SHELL: 50u" MIN. NICKEL ALL OVER

TOLERANCE: ±0.05, THICKNESS: 1.0~1.2mm
 RECOMMENDED PCB LAYOUT
 (TOP VIEW)
 KEEP OUT AREA

Pin #	SIGNAL NAME	DESCRIPTION	MATING SEQUENCE
1	VBUS	POWER	SECOND
2	D-	USB 2.0 DIFFERENTIAL PAIR	THIRD
3	D+		
4	GND	GROUND FOR POWER RETURN	SECOND
	Shell	CONNECTOR METAL SHELL	FIRST



深圳市鑫南天科技有限公司
 Shen zhen Shi Xin Nan Tian Industrial Co., Ltd

DIMENSIONS INT.	mm	DRAWINGS	DATE:
UNLESS OTHERWISE SPECIFIABLE		COCO	2008/08/08
DIMENSION	TOLERANCE	PRODUCT NO. : USB20-08404PK	DATE: 2008/08/08
X	±0.50 X.°	CHECK: JANY	DATE: 2008/08/08
X.X	±0.30 X.X°	APPROVED: JEFF	DATE: 2008/08/08
X.XX	±0.20 X.XX°	SCALE: 1:1	DATE: 2008/08/08
X.XXX	±0.15 X.XXX°	DWG ID: P D	REV: B
			PAGE: 1 of 1

REVISION NO.	EGR NO.	DESCRIPTION	MARK	DATE
1				
2				