

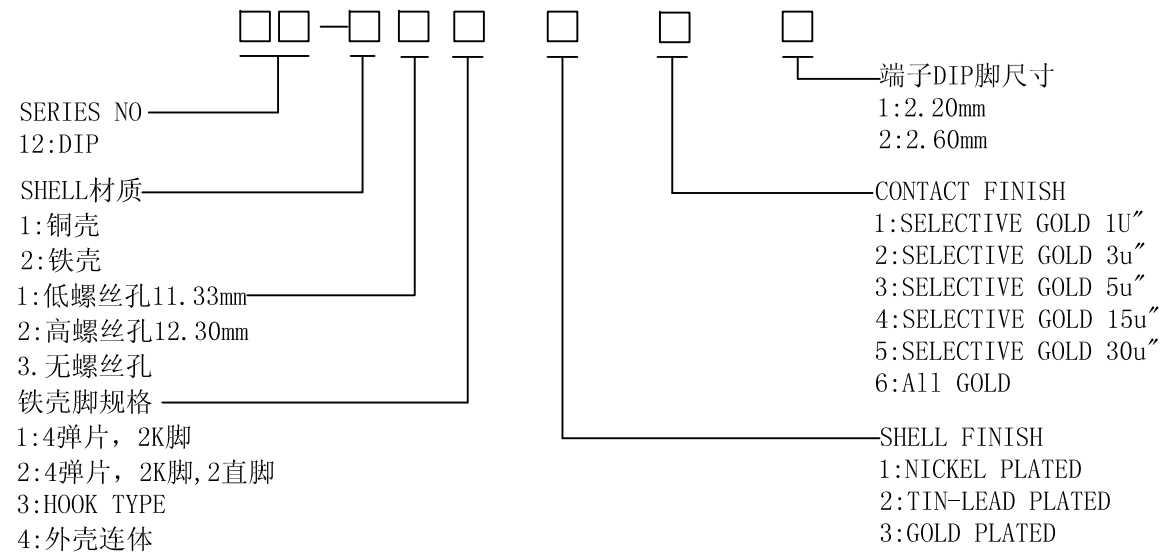
# HDMI FEMALE RIGHT/ANGLE DIP TYPE-B

版本	日期	说明	ECN NO.	NAME
A	07.4.10	新版发行	SXJ-0002	JOHN

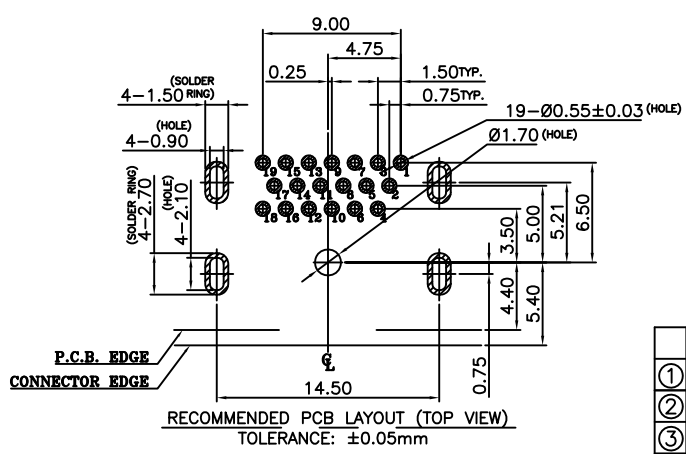
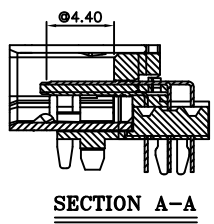
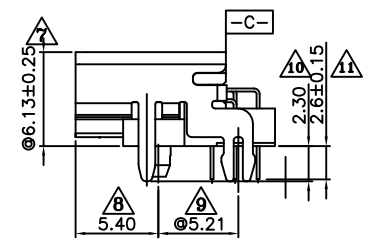
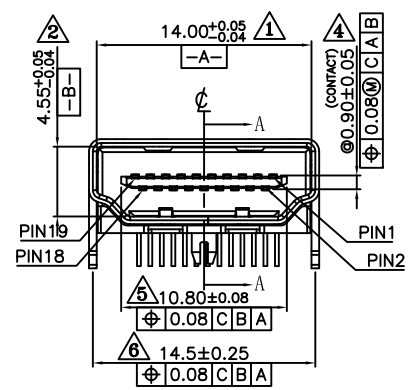
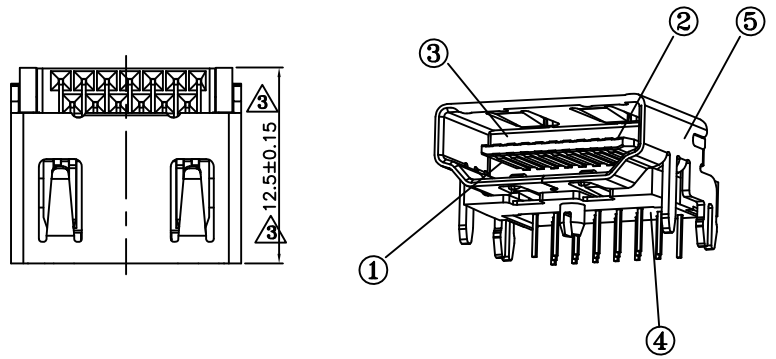
## NOTE:

- MATERIAL :**  
 TERMINAL : BRASS C2680-H(HV140~160),T=0.2±0.02mm.  
 SHELL : BRASS C2680-EH(HV160~175),T=0.5±0.02mm.  
 HOUSING : LCP(E130I)+30%.G.F.(UL94-0),BLACK.  
 BACK HOUSING : LCP(E130I)+30%.G.F.(UL94-0),BLACK.
- PLATING :**  
 TERMINAL : Au PLATED ON CONTACT AREA (SEE ORDER INFORMATION),  
 100u" Sn PLATED ON SOLDER TAIL AREA,  
 BOTH OVER 30u" MIN. Ni UNDERPLATED OVERALL.  
 SHELL : 80u"MIN. WELDABLE Ni OVERALL.
- MECHANICAL CHARACTERISTICS :**  
 INSERTION FORCE : 4.5Kgf MAX.  
 WITHDRAWING FORCE : 1Kgf ~ 4Kgf.
- ORDER INFORMATION**

## ORDERING INFORMATION



A  
B  
C  
D  
F



	PART NO.	NAME	Q'ty
①	M12-08010001	LOWER TERMINAL	9
②	M12-08010101	UPPER TERMINAL	10
③	M12-08030000	HOUSING	1
④	M12-08040000	BACK HOUSING	1
⑤	M12-08020000	SHELL	1

∇: Critical Dim	深圳市鑫南天科技有限公司 Shenzhen XinNanTian Technology Co., Ltd		PART NO.: <b>12-133112</b>	
⊙: Major CAV	DRAWN BY	JOHN	DRAWING NO. SXJ-0002	
一般尺度公差 ±0.25mm	CHECKED BY		DRAWING SIZE	4:1   A4
一般角度公差 ±2°	APPROVED BY		UNIT	mm
⊕	SORTING NO.		PAGE	1