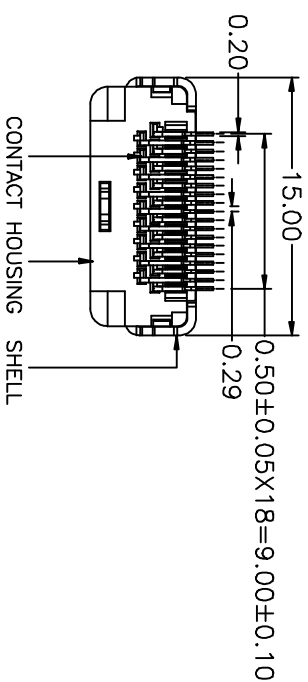
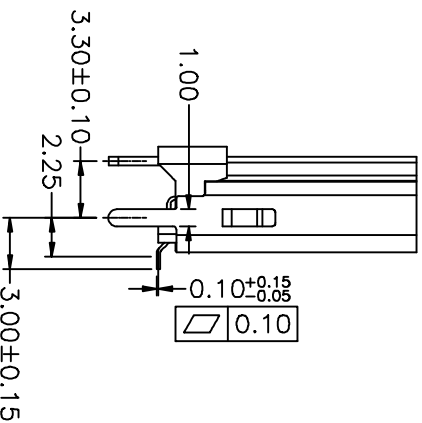
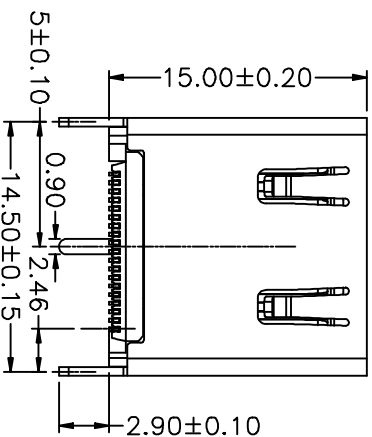
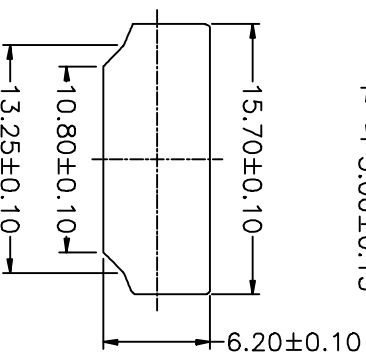


3D VIEW

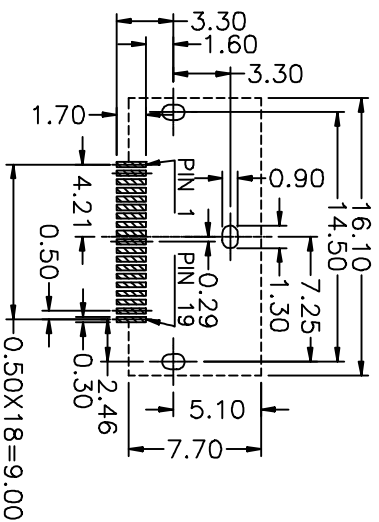


CONTACT HOUSING SHELL

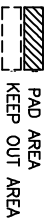


RECOMMENDED PANNEL CUT OUT DIMENSION

NOTE:
 1. MATERIAL:
 HOUSING:HIGH TEMPERATURE POLYESTER
 CONTACT:COPPER ALLOY
 SHELL:COPPER ALLOY
 FINISH:
 CONTACT: Au PLATING ON CONTACT AREA
 SOLDERING AREA: TIN PLATING
 SHELL: AU PLATING OR NI PLATING



RECOMMENDED P.C.BOARD LAYOUT (TOP VIEW)
 TOLERANCES UNLESS OTHERWISE SPEC.F:0.05



深圳市鑫南天科技有限公司

TOLERANCE: XX ±0.30 XXX ±0.25 XXXX ±0.15 X' ±2' X'X' ±0.5' UNIT: mm [inch] SCALE:1:1 SIZE: A4		DRAWN BY: 0000 CHECKED BY: AG APPROVED BY: JEPF		DATE: 2016-10-24 DATE: 2016-10-25 DATE: 2016-10-26		PART NAME: PART NO. XNT-HDMI-L150 MOLD NO. DRAW NO. SHEET NO.	
--	--	--	--	---	--	--	--