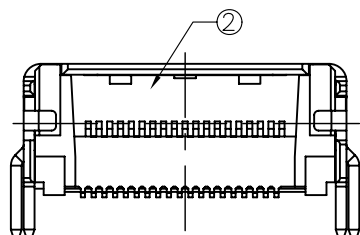
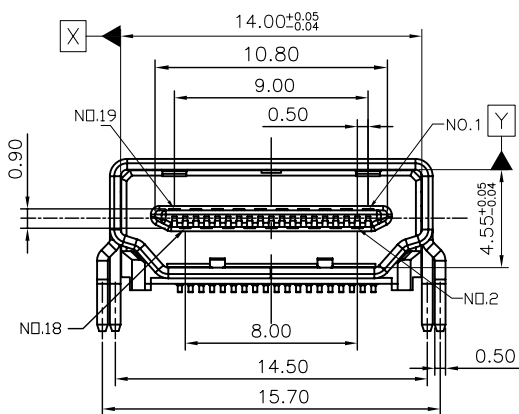
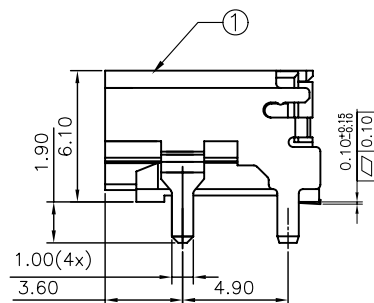


PICK UP AREA $\phi 6.0$



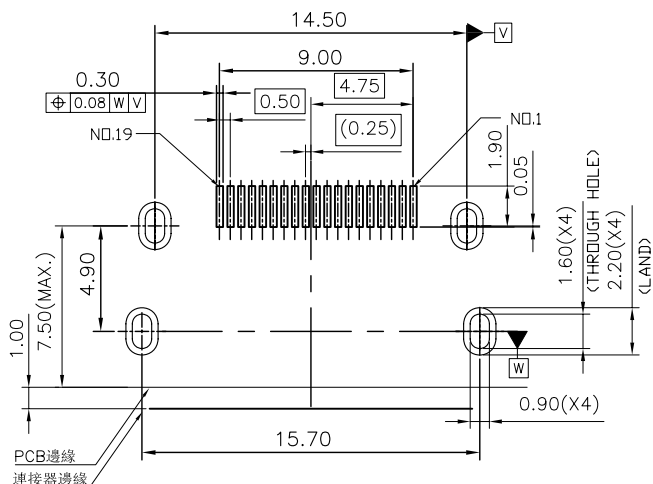
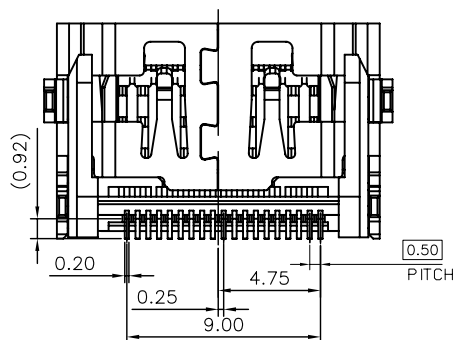
SPECIFICATIONS

1. OPERATING CURRENT: 0.5A MAX.
2. OPERATION TEMPERATURE: -25°C TO +85°C
3. DIELECTRIC WITHSTANDING VOLTAGE:
 - 500Volts AC BETWEEN ADIACENT TERMINAL<UNMATE >
 - 300Volts AC BETWEEN ADIACENT TERMINAL<MATE >
4. INSULATION RESISTANCE:
 - 100Mohm MIN.<UNMATED>;10Mohm MIN.<MATED>
5. HDMI SPECIFICATION COMPLIANCE

| | | | |
|------|----------|------|---|
| 3 | CONTACTS | 19 | COPPER ALLOY, GOLD PLATED OVER NICKEL ON CONTACT AREA AND 100u" MIN. TIN OR GOLD PLATED OVER NICKEL ON SOLDER TAILS |
| 2 | HOUSING | 1 | THERMOPLASTIC UL94V-0 |
| 1 | SHELL | 1 | COPPER ALLOY OR SPCC,NICKEL PLATED |
| ITEM | NAME | Q'TY | NOTES |

深圳市鑫南天科技有限公司

| | | | | |
|---|---------------------|----------------------|----------------------------------|---------------------|
| TOLERANCE: X.X ±0.30 X.XX ±0.25 X.XXX ±0.15 X' ±2' X.X' ±0.5' | DRAWN BY : 陈一鸣 | DATE : 2014-02-23 | PART NAME: HDMI A TYPE SMT 短体 | |
| | CHECKED BY: 马跃 | DATE : 2014-02-23 | PART NO. XNT-HDMI-A-116 | MOLD NO. |
| UNIT: mm [inch] SCALE:1:1 SIZE: A4 | APPROVED BY: 邱国夷 | DATE : 2014-02-23 | DRAW NO: | SHEET NO. 1 OF 1 |



RECOMMENDED P.C.B. LAYOUT (T:1.20~1.60mm)
TOLERANCE UNSPECIFIED ±0.05mm