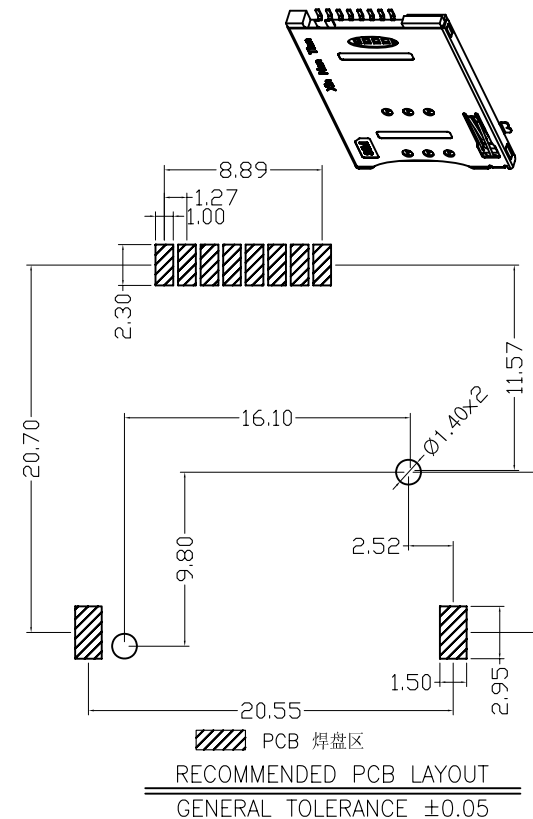
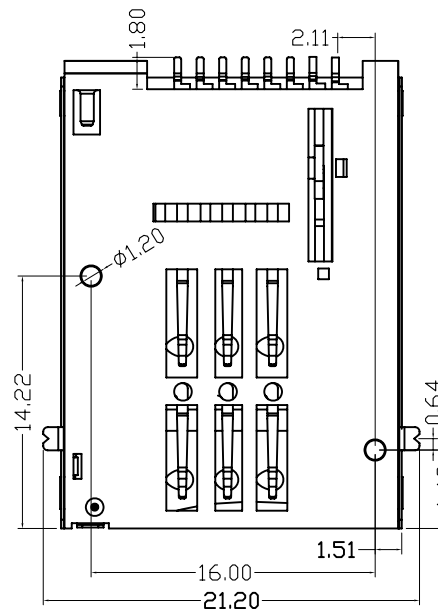
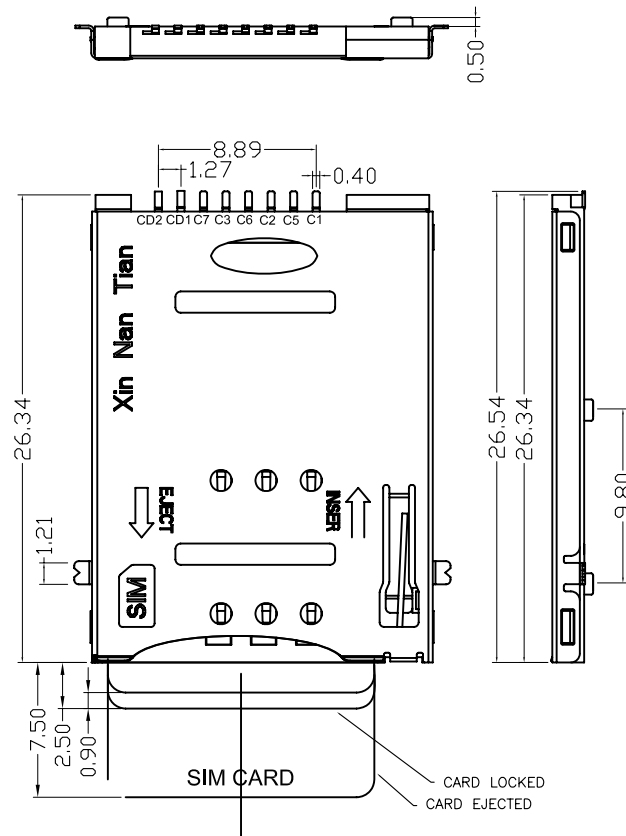
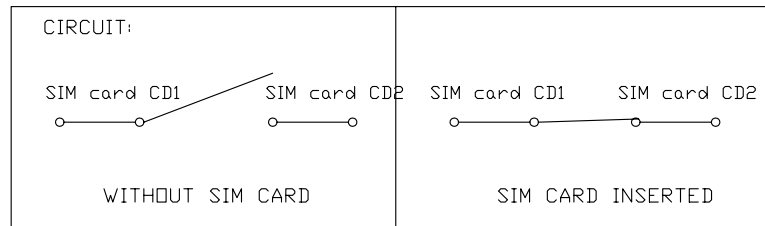


* 所有原料材质, 生产制程, 电镀必须符合ROHS要求



- 1.SPECIFICATIONS
 INSULATION RESISTANCE: 500M min.AT DC 500V DC
 WITHSTANDING VOLTAGE: 250V ACrms FOR 1 MINUTE
 CONTACT RESISTANCE: 100M max. AT 10MA/20mV max
 CURRENT RATING: 0.5A
 VOLTAGE RATING: 5.0 vrms
 OPERATING TEMP.RANGE:-55 C+85 C
 MATING CYCLES: 5000 INSERTIONS
- 2.MATERIAL:
 INSULATOR: H-TEMPERATURE PLASTIC,UL 94V-0,
 COLOR:BLACK
 TERMINAL: COPPER ALLOY,T=0.15mm
 SHELL: STAINLESS STEEL,T=0.15mm
- 3.FINISH:
 TERMINAL:50 μ min NICKEL UNDERPLATED ON ALLOVER,GOLD PLATING
 ON CONTACT ARER, 80 μ min TIN ON SOLDER TAIL.
 SHELL:50 μ NICKEL UNDERPLATED ON ALLOVER, GOLD FLASH ON SOLDER LATCH

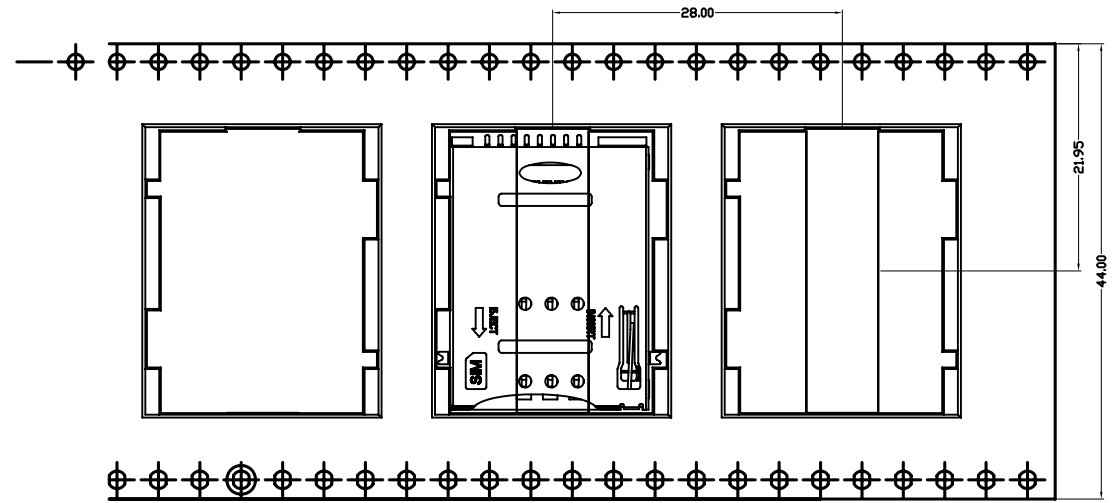
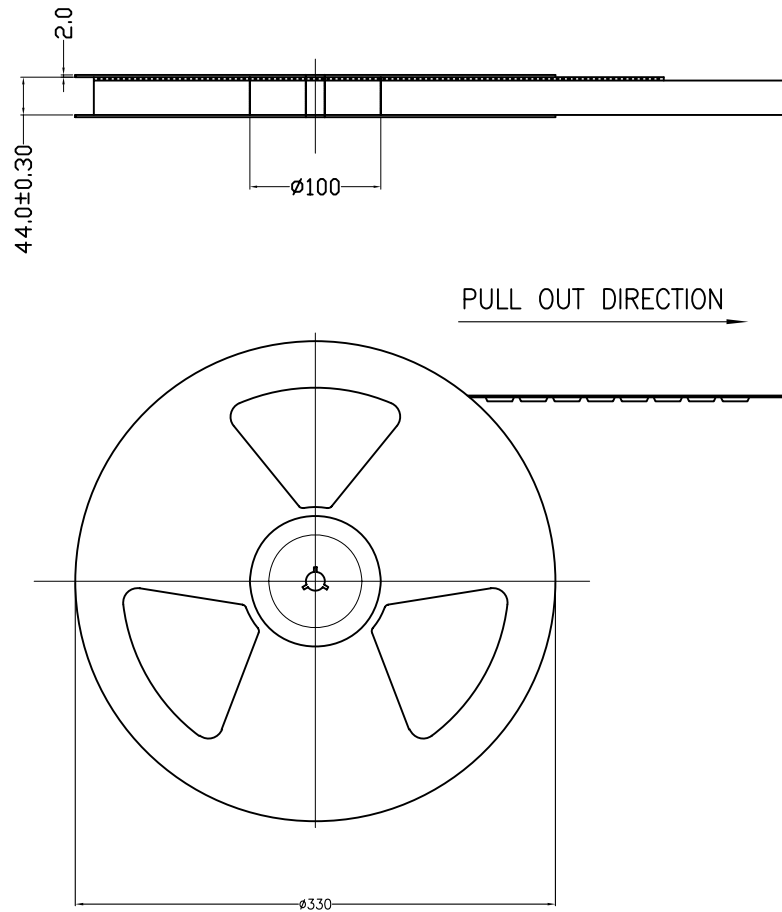
SIM pin assignment	
PIN#	Name
C1	VCC 电压
C2	RST 重置
C3	CLK 时钟
C5	GND 接地
C6	VPP 电压
C7	I/O 输入输出



	深圳市鑫南天科技有限公司 Shenzhen XinNanTian Technology Co., Ltd	
	DIMENSIONS INIT: mm UNLESS OTHERWISE SPECIFIABLE DIMENSION TOLERANCE X.X: ± 0.25 X.XX: ± 0.10 X.XXX: ± 0.05 ANGULAR: ± 1°	PRODUCT NAME : SIM PUSH 6P+2P有柱 PRODUCT NO. : XNT-0211AAAG06A DRAWING NO. : XNT-021

REVISION NO.	ECR NO.	DESCRIPTION	MARK	DATE
1				
2				
3				

* 所有原料材质, 生产制程, 电镀必须符合ROHS要求



PULL OUT DIRECTION

Note:

1. 1.10 sprocket hole pitch cumulative tolerance ± 0.2
2. Carrier camber is within 1 mm in 250mm.
3. Material: Black Conductive Polystyrene Alloy
100% recyclable.
4. All dimensions meet EIA-481-B requirements.
5. Thickness: 0.3 ± 0.05 mm.
6. Component load per 13" reel: 700 pcs.
7. A box of 3 volumes, 2100PCS
8. 纸箱规格: 345*345*315, 纸箱重为300g
9. 重量: 每盘700PCS重1500g, 每Pcs重1.3g/Pcs



深圳市鑫南天科技有限公司
Shenzhen XinNanTian Technology Co., Ltd

DIMENSIONS INIT: mm UNLESS OTHERWISE SPECIFIABLE DIMENSION TOLERANCE X.X: ± 0.25 X.XX: ± 0.10 X.XXX: ± 0.05 ANGULAR: $\pm 1^\circ$	PRODUCT NAME :	DRAWING:	DATE:
	SIM PUSH/PUSH TYPE Reel	COCO	2008/12/10
	PRODUCT NO. :	CHECK:	DATE:
	XNT-0211AAAG06A	JANY	2008/12/10
DRAWING NO. :	APPROVED:	DATE:	
XNT-021	JEFF	2008/12/10	
	SCALE:	DWG ID:	REV.:
	1:1	P D	A
		PAGE:	
		1 OF 1	

REVISION NO.	ECR NO.	DESCRIPTION	MARK	DATE
1				
2				
3				