

NOTES:

MATERIAL:

- CONTACT: COPPER ALLOY
- PLATING: SELECTIVE AU ON MATING AREA, TIN ON SOLDER AREA;
- HOUSING: LCP

MECHANICAL:

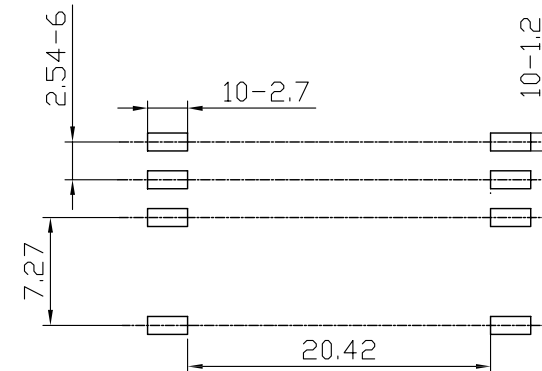
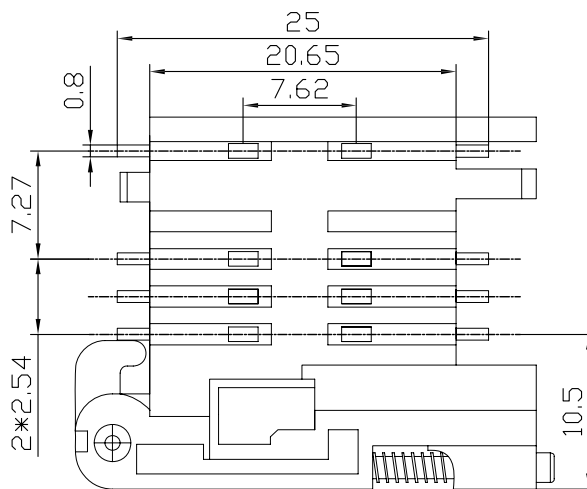
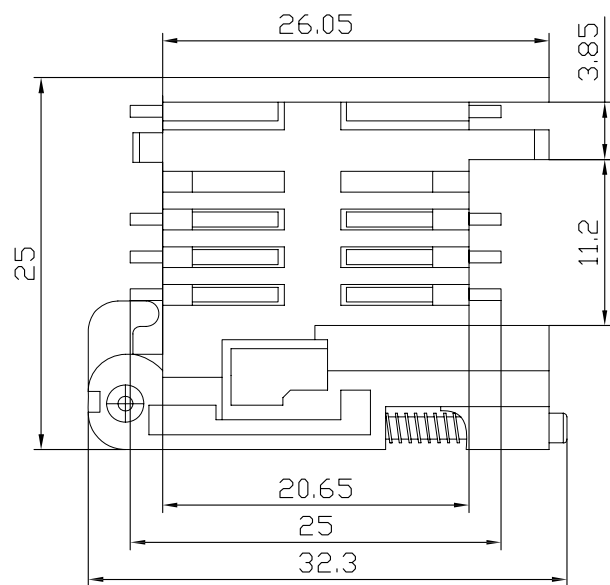
- PIN COUNT: 8PIN
- DURABILITY: 5000 CYCLES;
- INSERTION FORCE: 1.5KGF MAX.
- EXTRACTION FORCE: 2KGF MIN.
- CONTACT NORMAL FORCE: 0.2KG~0.6KGF

ELECTRICAL

- INSULATION RESISTANCE: 100MΩ MIN.
- CONTACT RESISTANCE: 100mΩ MAX
- CD FUNCTION: NORMALLY OPEN

ENVIRONMENT

- OPERATION TEMPERATURE: -40°C~+85°C
- SOLDER CONDITION: 260°C 5S
- HUMIDITY: 40°C, 90%~96%, 48H;
- SALT SPRAY: 5% NaCl, 35°C 24H;



RECOMMENDED PCB LAYOUT  
TOLERANCE: ± 0.05

REVISION NO.	ECR NO.	DESCRIPTION	MARK	DATE
1				
2				
3				

	<b>深圳市鑫南天科技有限公司</b> Shenzhen XinNanTian Technology Co., Ltd				
	DIMENSIONS INIT: mm UNLESS OTHERWISE SPECIFIABLE		PRODUCT NAME : ALL PLASTIC SIM PUSH PUSH	DRAWING: COCO	DATE: 2014/06/15
	DIMENSION TOLERANCE X.X: ± 0.25 X.XX: ± 0.10 X.XXX: ± 0.10 ANGULAR: ± 1°		PRODUCT NO. : XNT-SIM08-300	CHECK: JANY	DATE: 2014/06/15
			DRAWING NO. : XNT-SIM-0024	APPROVED: JEFF	DATE: 2014/06/15
				SCALE: NA DWG ID: P D REV.: A PAGE: 1 OF 1	