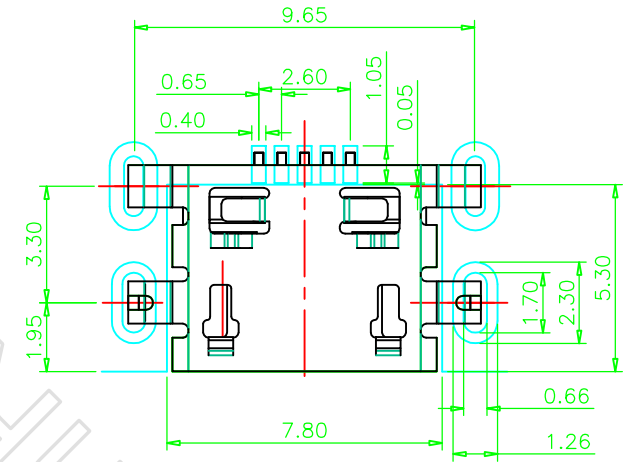
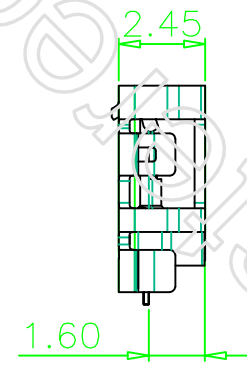
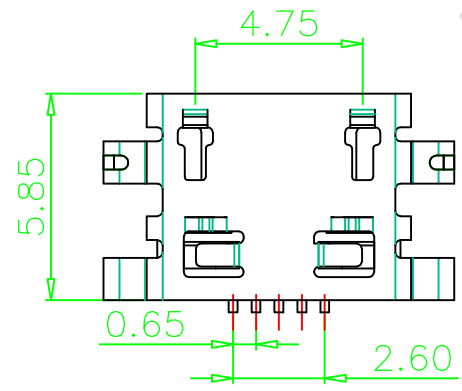
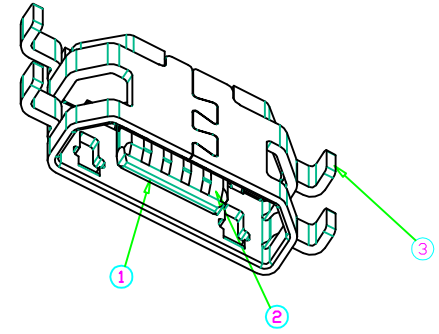
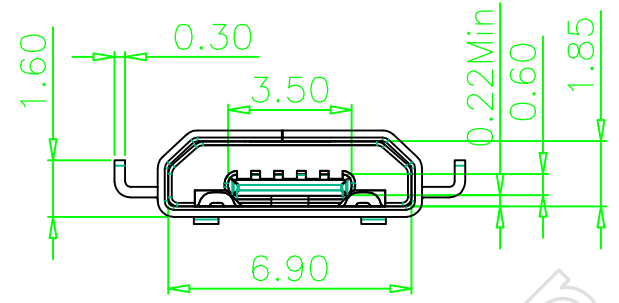
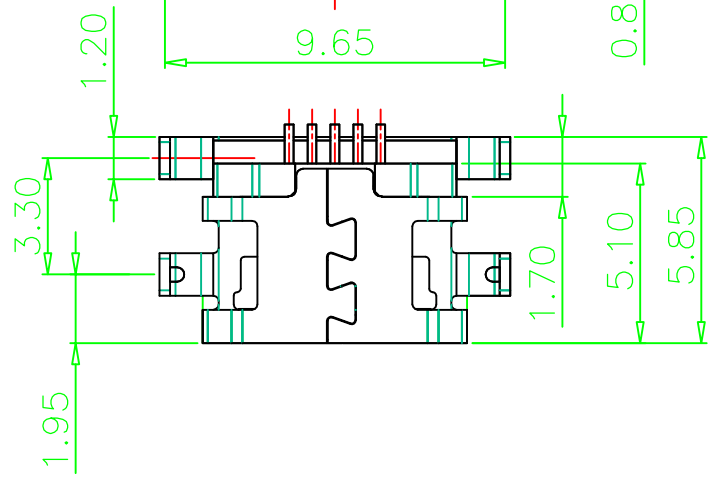
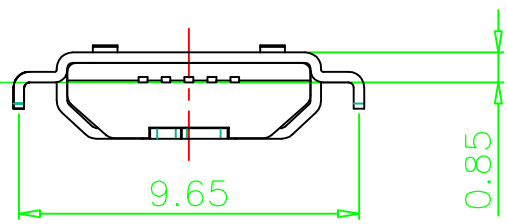


REV.	ECN NO.	DESCRIPTION	DRAW	APPD.	DATE
A	---	DRAWING RELEASE	ZXM	Dengmingxin	2013.12.11



0.10 Max



RECOMMENDED PCB LAYOUT(TOP VIEW)
GENERAL TOLERANCES:±0.05

3	SHELL	STAINLESS STEEL T=0.30mm	MATTE TIN/Ni Plated	1PCS
2	CONTACT	COPPER ALLOY T=0.15mm	Au/Ni Plated	1SET
1	HOUSING	PA9T UL94V-0	BLACK	1PCS
NO.	DESCRIPTION	MATERIAL	REMARKS	QTY

TOLERANCE		NAME(INTENDED USE) CUSTOMER DRAWING	深圳市鑫南天科技有限公司	
X.X ±0.30	X.' ± 2'	PART NO.	TITLE: MICRO USB 5P	
.XX ±0.20	.X' ± 1'	010101010-022	沉板1.6 四脚插板 四面无翻边	
.XXX ±0.10	.XX' ±0.5'	APPD:	DRAWG NO. 0101-0220	
UNITS	mm	CHEDED:	SCALE SHEET REV.	
MATERILA		DRAW:	1:1	1/1
FINISH				A