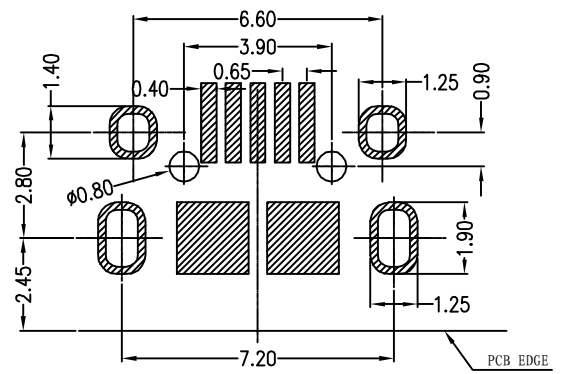
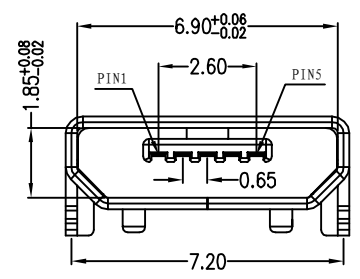
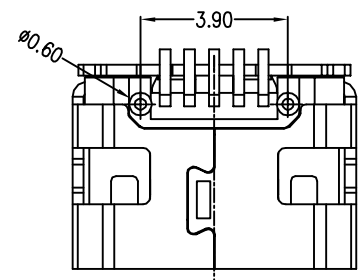
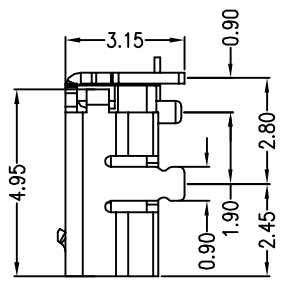
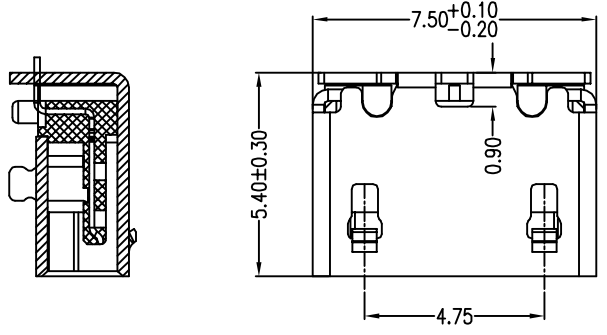
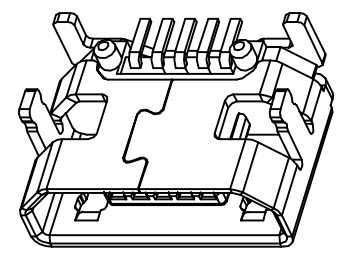
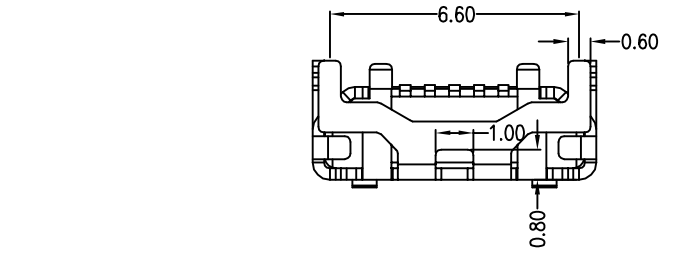


REV.	ECN NO	LOCATIONS	DESCRIPTION	DATE



Note:

- Material:
 - Housing: LCP High temperature thermoplastic with g.f,UL94v-0
 - Contact: copper alloy,t=0.15mm
 - Shell: SUS304,t=0.30mm
- Specification:
 - Current rating: 1 A Max.
 - Dielectric withstanding voltage: 100 V(ac) for 1 min.
 - Contact resistance: 50 mW Max.
 - Insulation resistance: 100 MW Min.
 - Total mating force: 3.57 Kgf Max.
 - Total unmating force: 1.0 Kgf Min.0.81~2.05 Kgf Min.
 - Temperature range: -30°C~80°C

A 01 S B 7 4 1 B 1-283

- ① ② ③ ④ ⑤ ⑥ ⑦ ⑧ ⑨ ⑩

- ① 产品代号 A:成品
- ② 产品系列 01:micro usb 5pos
- ③ 产品类别 S:母头
- ④ 产品类型 B:B TYPE
- ⑤ 外壳材质 7:SUS304R-1/2H
- ⑥ 端子材质 4:C5191R-EH
- ⑦ 主体材质 1:LCP
- ⑧ 主体颜色 B:黑色
- ⑨ 下板类型 1:dip
- ⑩ 细节流水 283:MICRO USB 5S B TYPE牛角型全插6.60/7.2有柱长针无导位新模

RECOMMEND PCB LAYOUT

PART NO: A01SB741B1-283		MATERIAL: COCO	深圳市鑫南天科技有限公司 Shenzhen XinNanTian Industrial Co.,Ltd	
MODEL NO: XX		FINSH: JANY		
UNIT: MM	SIZE: A4	COLOR: JEFF	TITLE: MICRO USB 5S B TYPE牛角型全插6.60/7.2有柱长针无导位新模	
TOLERANCE UNSPECIFIED		DR:	DWG NO: A283	
.x 0.15	.xx 0.10	CHK:	REV: A	
.xxx 0.05	Ang. 1°	APP:	SCALE: 5:1	DATE: 2012.07.13

