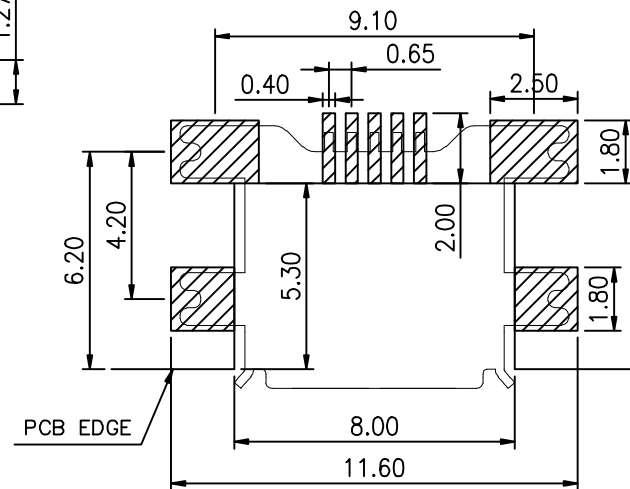
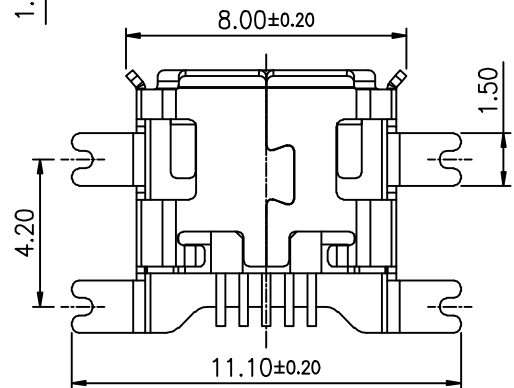
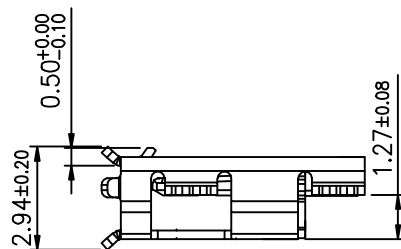
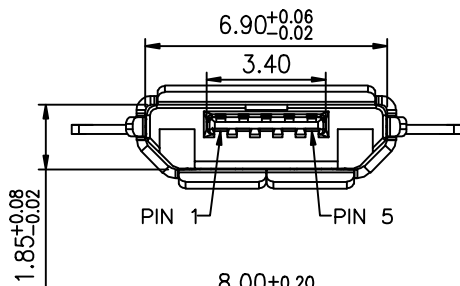


- 1. MATERIAL:**  
HOUSING: HIGH-TEMP, COLOR: BLACK, UL94V-0  
CONTACT: COPPER ALLOY  
SHELL: STAINLESS STEEL
- 2. PLATING:**  
CONTACT: FULL GOLD FLASH PLATED OVER NI  
SHELL: MATT TiN PLATED OVER NI
- 3. SPECIFICATION:**
  - 3.1. ELECTRICAL CHARACTERISTICS**  
CURRENT RATING: 1.0A  
OPERATING: 30V  
CONTACT RESISTANCE: 30mΩ MAX  
INSULATION RESISTANCE: 1000MΩ MIN  
DIELECTRIC WITHSTANDING VOLTAGE: 100V AC FOR 1 MINUTE  
TEMPERATURE RANGE: -20° C TO +85° C
  - 3.2. MECHANICAL**  
MATING CYCLE: 10000 CYCLES MIN  
MATING FORCE: 35N MAX  
UNMATING FORCE: 8N MIN



RECOMMENDED P.C.B. LAYOUT  
TOLERANCE: ±0.05  
TOP VIEW

				ENGINEERING		DRAW		SCALE 5:1		<b>深圳市鑫南天科技有限公司</b> Shen zhen Shi Xin Nan Tian Industrial Co., Ltd	
				X.	±0.20	DESIGN		UNIT	mm		
				X.X	±0.15	CHECK		SIZE	A4	PART NO.	XNT MICRO 5PIN X0087
				X.XX	±0.10	APPROVE		SHEET	1/1	TITLE:	MICRO-USB-5PIN 贴片 沉板 H=1.27
				X.XXX	±0.05			PROJ.	◆	DRAWING NO.	
REV	DATE	MODIFICATION DESCRIPTION	CHANGE	APPROVE	DIM	TOL	APPROVE				