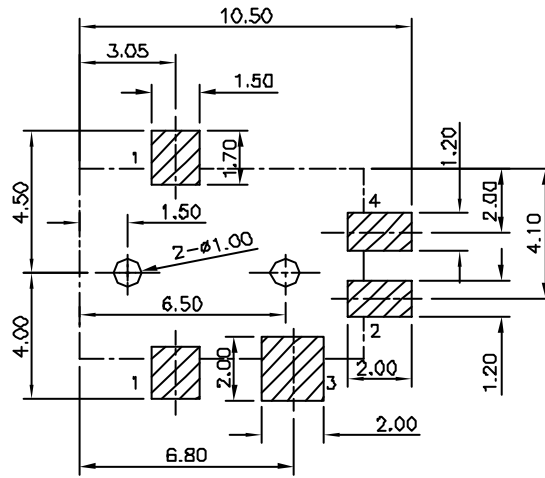
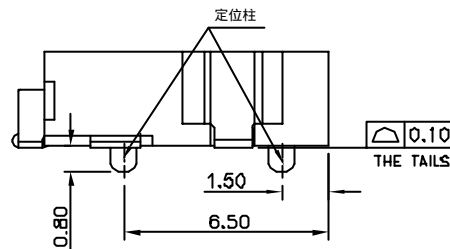
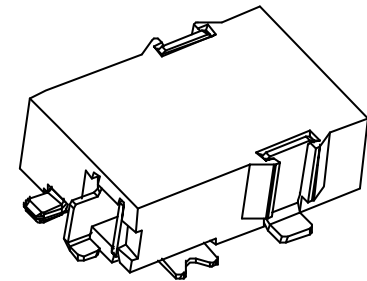
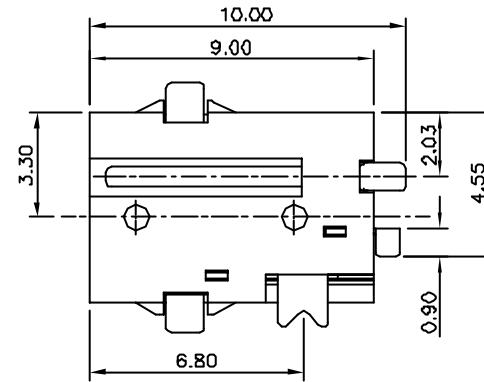
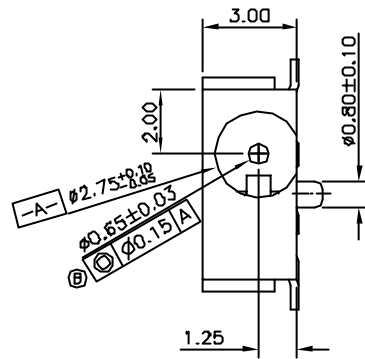
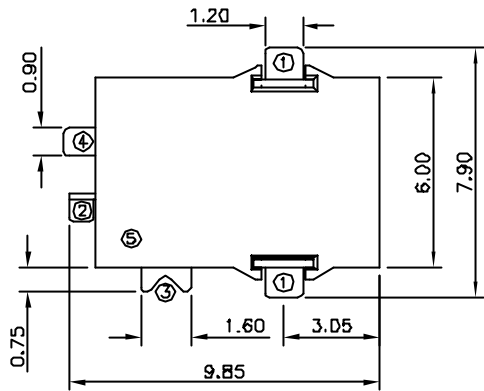


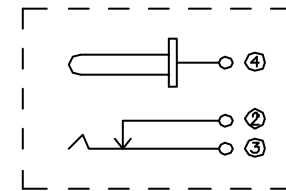
TABLE A:

MATTER	RoHs ( PPM )
Cd	≤ 100
Pb	≤ 1000
Hg	≤ 1000
Cr6+	≤ 1000
PBB	≤ 1000
PBDE	≤ 1000

REVISIONS					
REV.	ECN NO.	LOCATION	DESCRIPTION	DATE	DESIGN
A	ECN-08-1070		INITIAL RELEASE	2008/05/12	何志杰
B	ECN-08-1283	(B) X1	增加同心度尺寸管控	2008/12/29	何志杰
C	ECN-06-1314	(C) X1	变更同心度尺寸	2010/03/02	何志杰



RECOMMENDED P.C.B LAYOUT  
GENERAL TOLERANCE: ±0.05mm



SCHEMATIC

NOTES:

- REQUEST OF THE SPECIFICATION:
  - CONTACT CURRENT RATING: 1.0A.
  - CONTACT RESISTANCE: 50 mΩ MAX.;
  - INSULATION RESISTANCE: 50MΩ MIN.;
  - DIELECTRIC WITHSTANDING: 500V AC MIN.;
  - DURABILITY: 5000 CYCLES MIN.;
  - CONNECTOR MATING FORCES: 20N (2.1Kgf) MAX.;
  - CONNECTOR UNMATING FORCES: 2.5N(0.25Kgf) MIN.;
- PRODUCT MEET THE REQUEST OF THE RoHs, SEE TABLE A:

TABLE B:

PART NUMBER	DESCRIPTION
DS-D346SOQ-D77-162	无定位柱
DS-D346SOR-D77-162	两定位柱
DS-D346SOQ-D77-182	无定位柱
DS-D346SOR-D77-182	两定位柱

BOM:

ITEM	PART NAME	MATERIAL	QTY	FINISHED	REMARK
5	HOUSING	HIGH TEMP PLASTIC	1	BLACK	
4	CENTER PIN	BRASS	1	Ag PLATED	
3	TERMINAL D	PHONPHOR BRONZE T=0.20mm	1	Au PLATED	
2	TERMINAL C	BRASS T=0.20mm	1	Au PLATED	
1	TERMINAL A	BRASS T=0.20mm	2	Ag PLATED	

This document is the property of GETWELL development corporation.

深圳市鑫南天科技有限公司

Shen zhen Shi Xin Nan Tian Industrial Co.,Ltd

UNLESS OTHERWISE SPECIFIED, TOLERANCE:  
X. ±0.30  
X.x ±0.25  
X.xx ±0.20  
X.xxx ±0.10  
ANGULAR ±3

DESIGN	何志杰	DATE	2010/03/02	TITLE:	DC JACK
CHECKED		DATE		CUSTOMER' DWG	
APPROVED		DATE			
PART NO.	SEE TABLE B	REV.:	C	SCALE:	1:1
DRAWING NO.	C-DSD346SOR-00	UNIT:	mm	SIZE:	A4
		SHEET:	1/1		